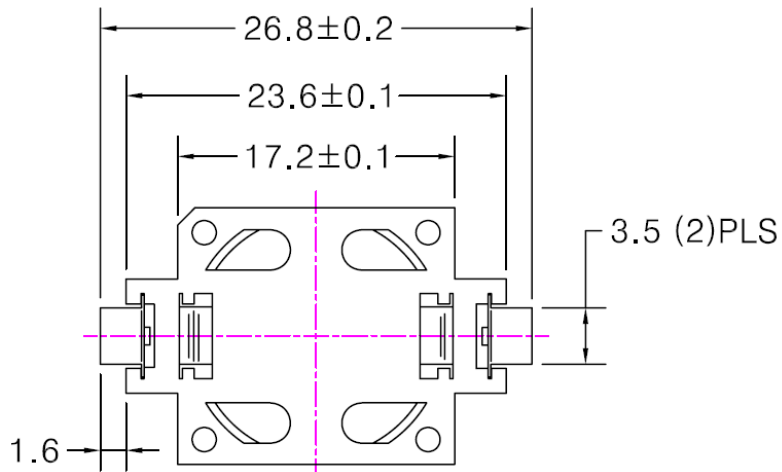
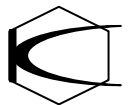


SECTION A-A



NOTES:

- 1、 BASE:
MAT'L: GLASS FILED LCP UL 94V-0
- 2、 CONTACTS:
MAT'L: 0.15mm TH'K PHOSPHOR BRONZE
FINISH: GOLD FLASH, OVER NICKEL PLATE



銓基電子股份有限公司
ROKI ELECTRONICS CO., LTD.

PART NAME : BATTERY HOLDER

PART NO : CR-1632-1

TOLERANCE : ± mm

SCALE :

UNIT : mm

VER : R01

